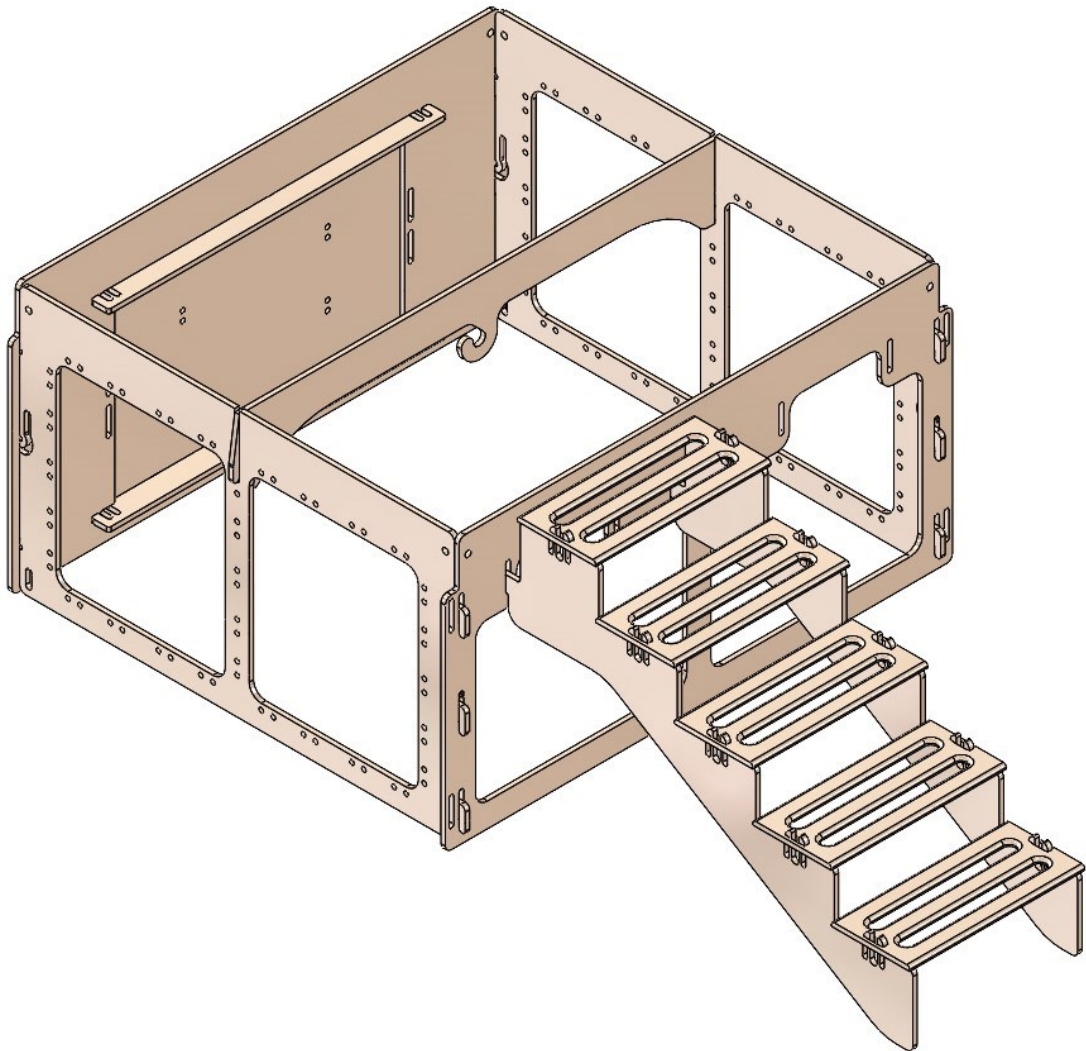


SNAP LOCK

Coop Stand

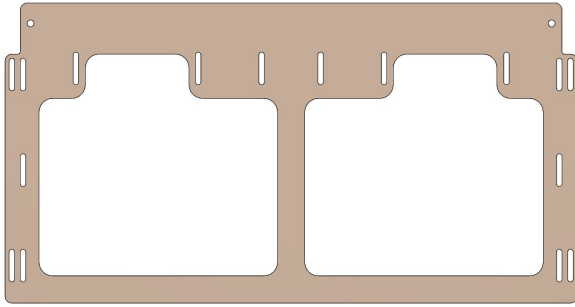


Instruction Manual
for Snap Lock Dog House

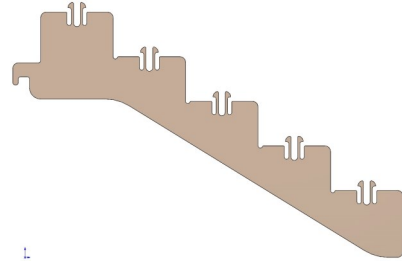
PARTS LIST FOR THE SNAP LOCK CHICKEN COOP STAND

This kit for the Large Model SNAP LOCK CHICKEN COOP STAND includes the following:

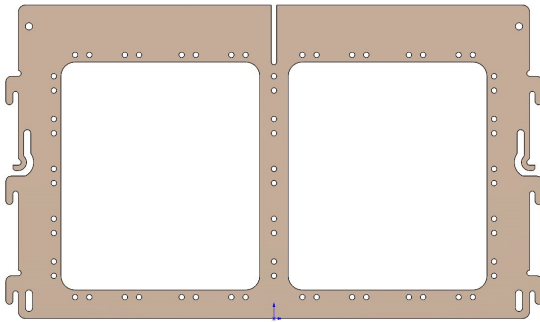
- one envelope containing instructions, the warranty
- It also includes all the parts listed on this page.



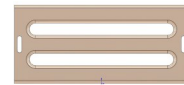
Front Panel (1)



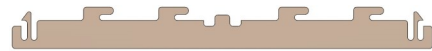
Stair Frame (2)



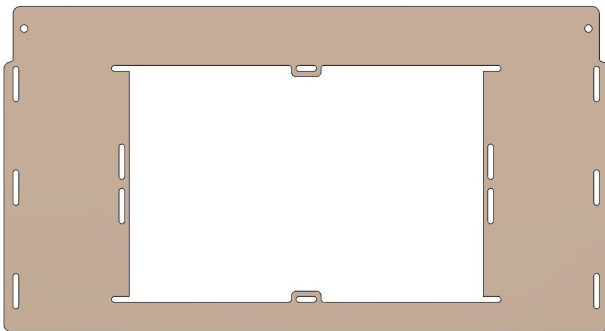
Side Panel (2)



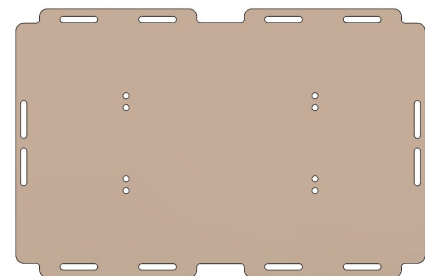
Stair Tread (5)



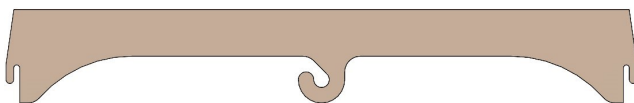
Door Frame (2)



Back Panel (1)

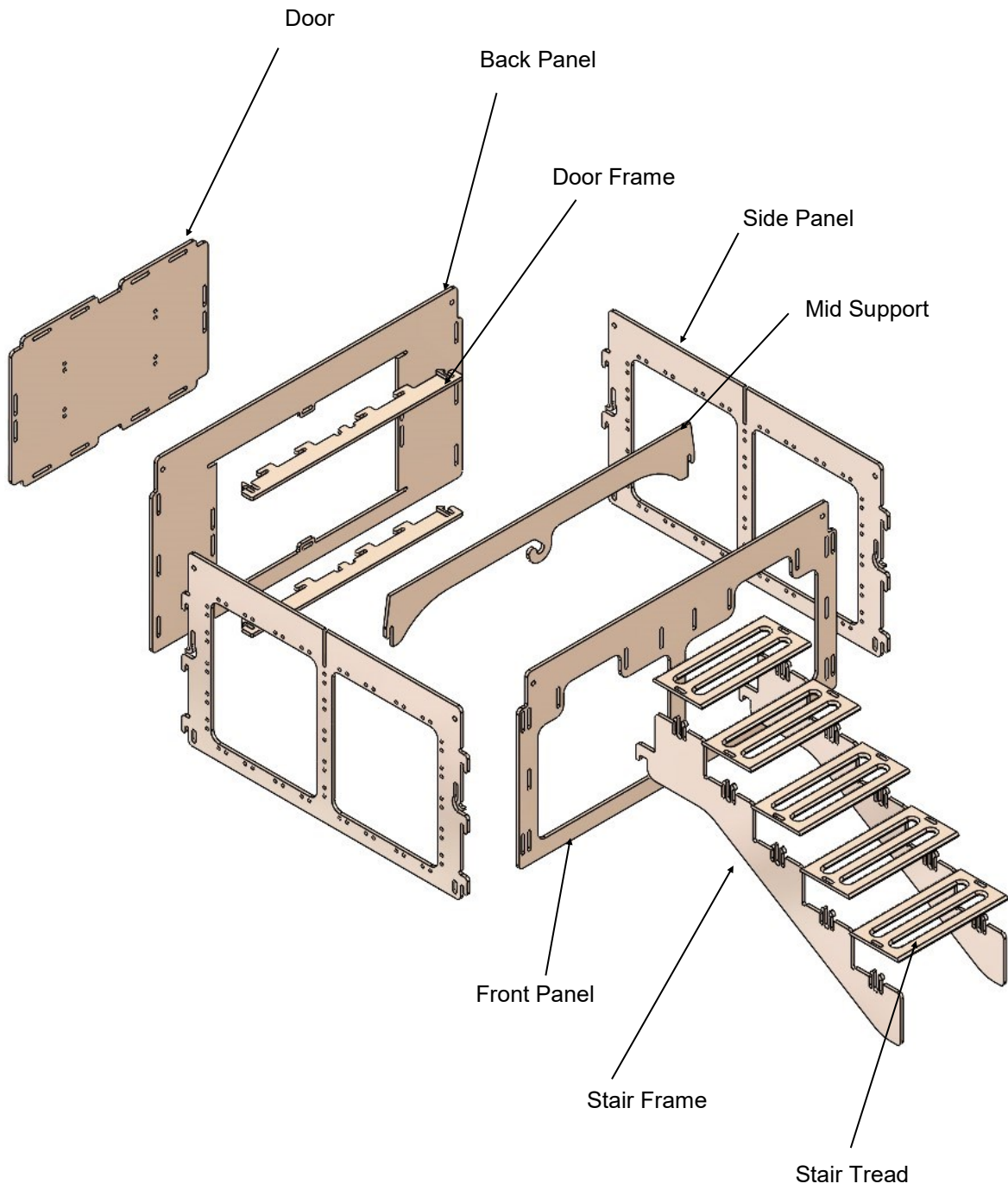


Door (1)



Mid Support (1)

Exploded Views with Part Descriptions



Coop Stand Assembly

Step 1: Connect one of the side panels to the front panel by pressing the hooked tabs of the side panel through the slots of the front panel, and then sliding the front panel up until the side panel locks into place

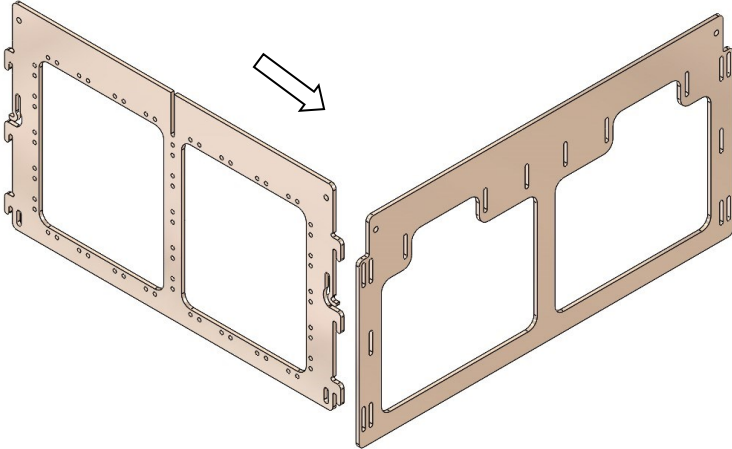


Fig. 1a

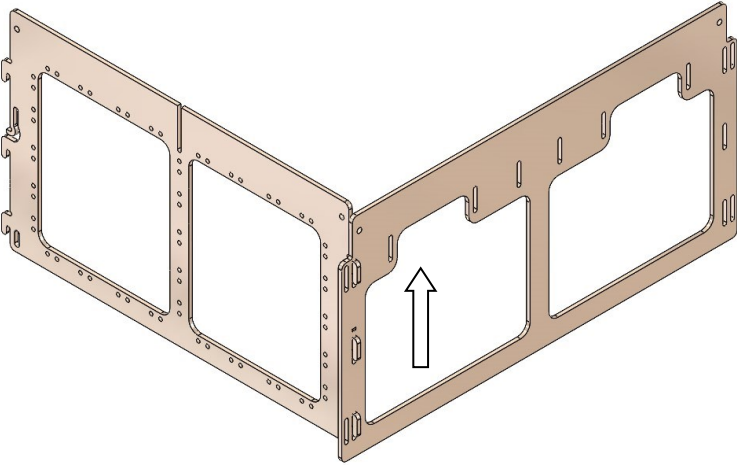


Fig. 1b

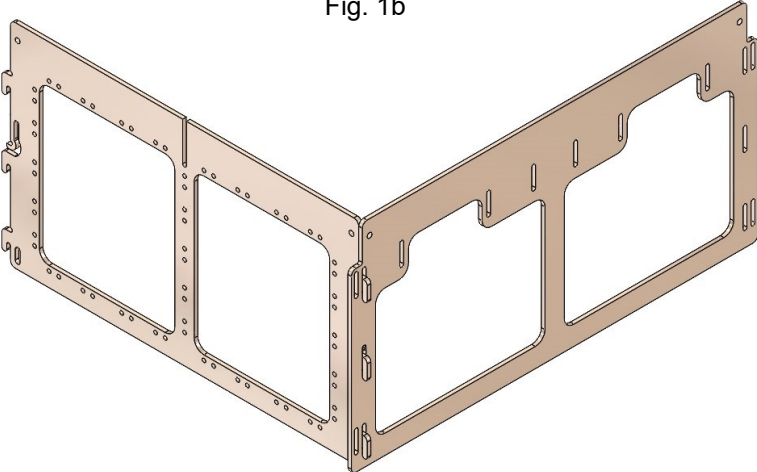


Fig. 1c

Coop Stand Assembly

Step 2: Repeat step 1 with the second side panel

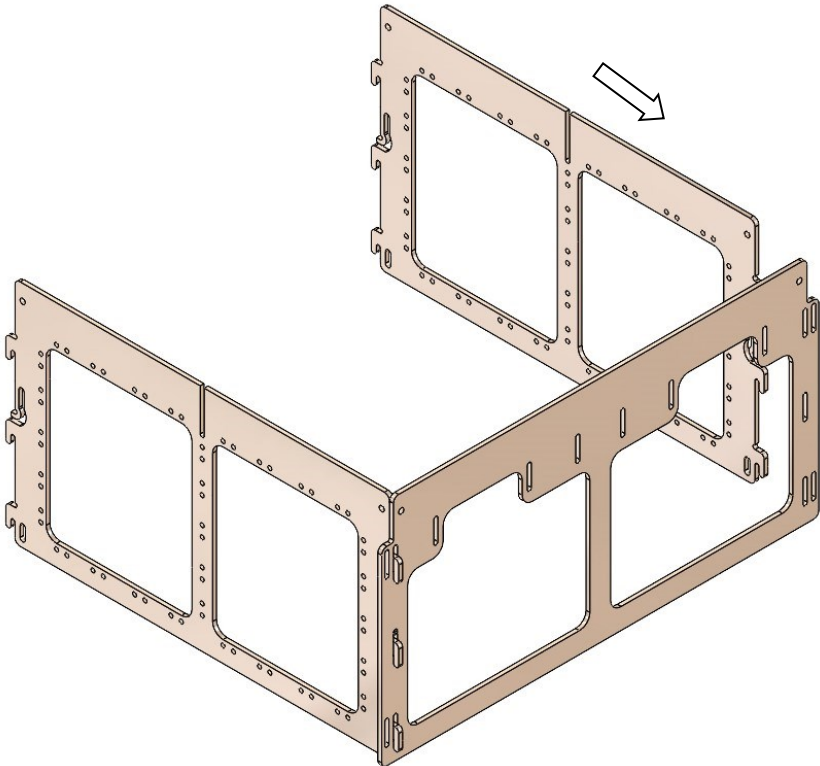


Fig. 2a

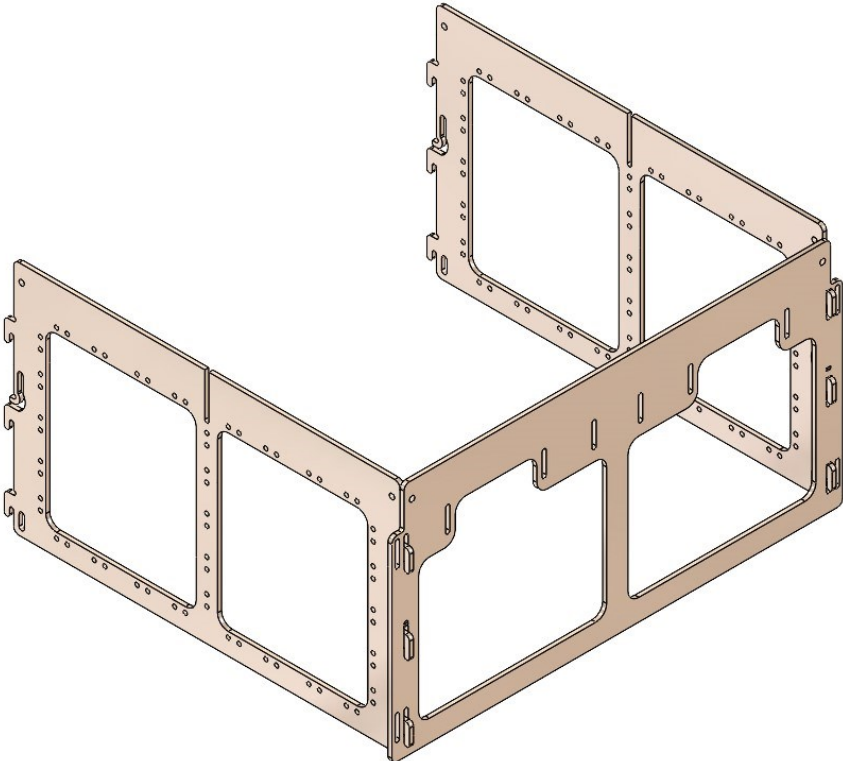


Fig. 2b

Coop Stand Assembly

Step 3: Slide the side panel tabs through the slots on the back panel and press the back panel up until both the side panels lock into place

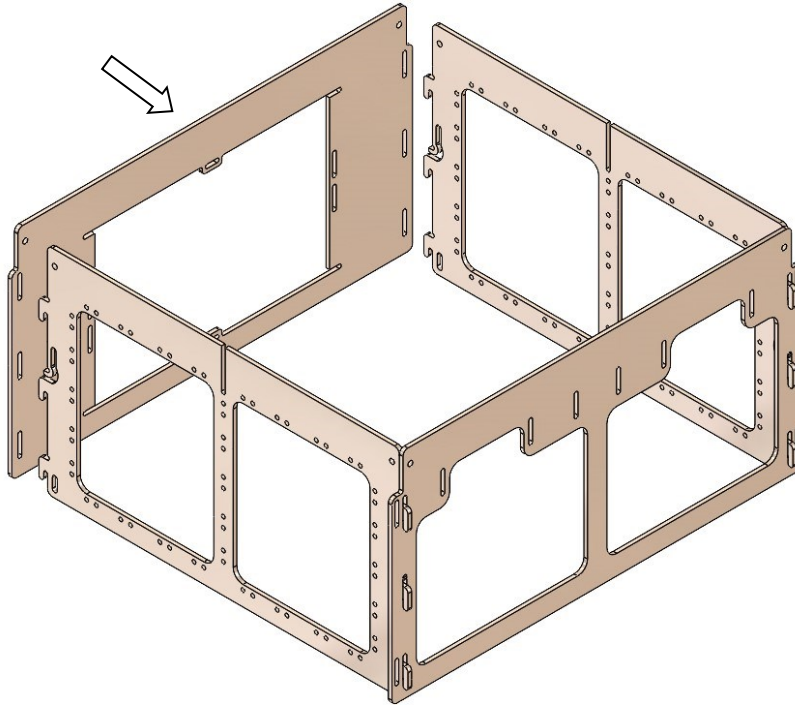


Fig. 3a

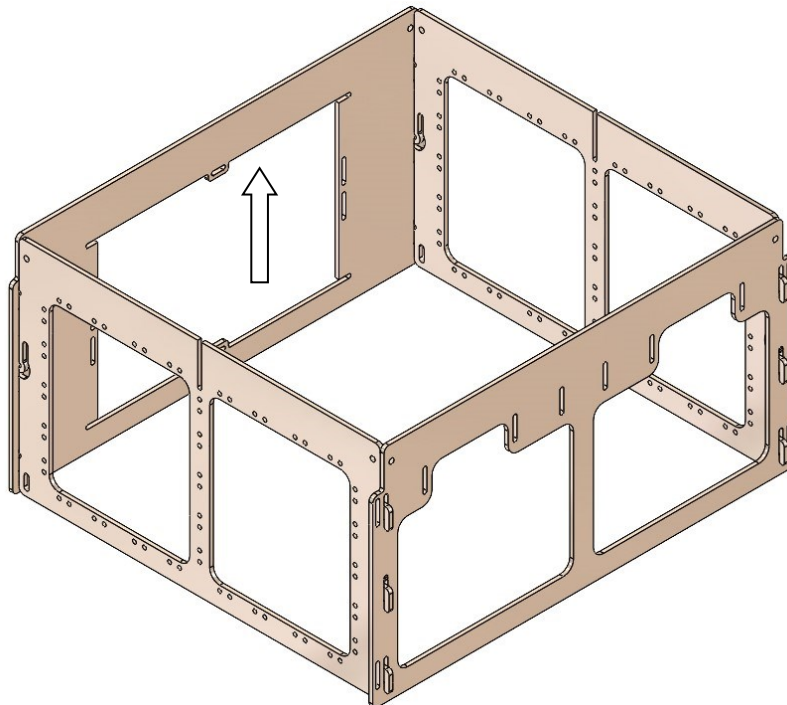


Fig. 3b

Coop Stand Assembly

Step 4: Insert the mid support into the slots on top of both side panels

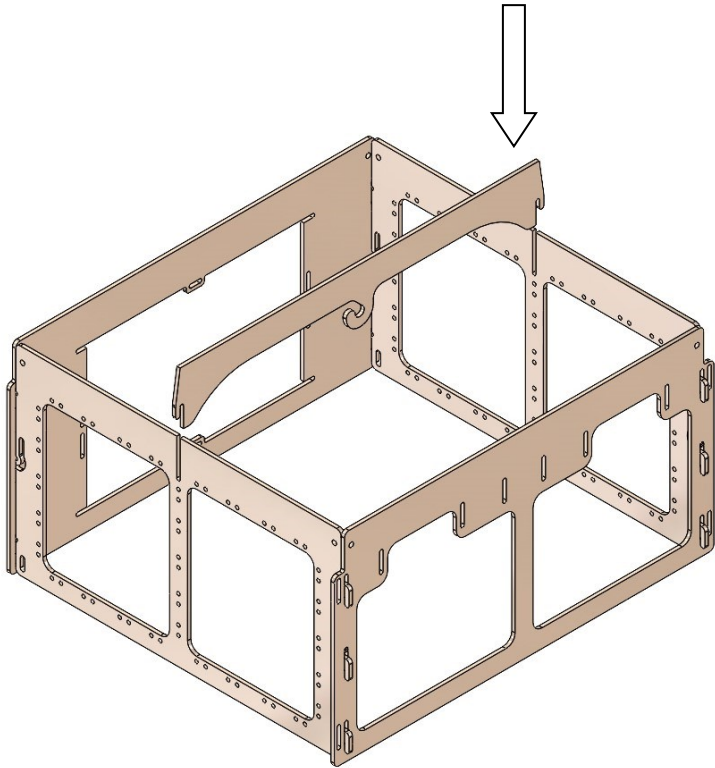


Fig. 4a

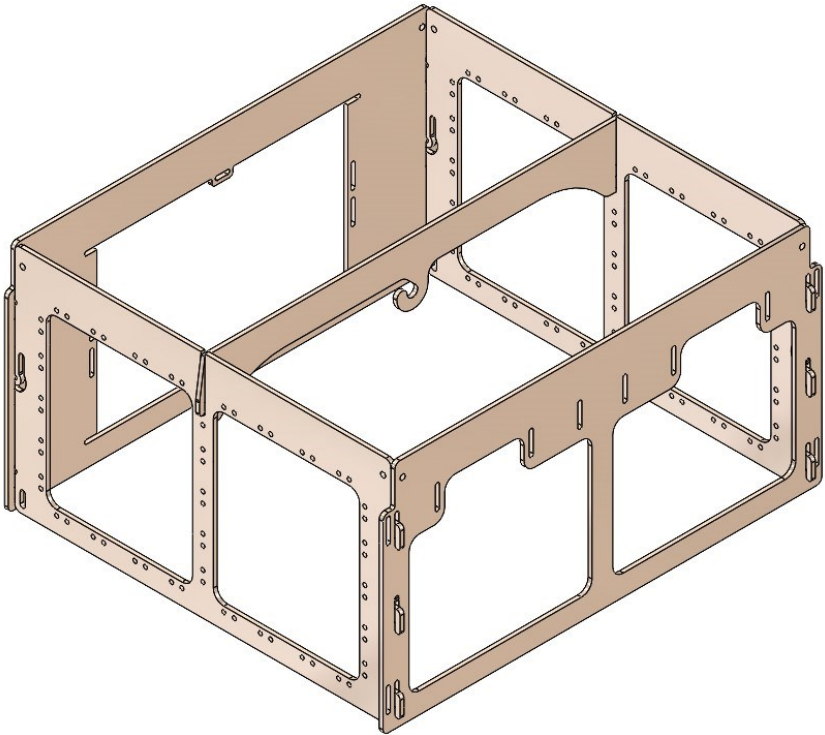


Fig. 4b

Coop Stand Assembly

Step 5: Insert the Door Frames into the back panel so that the tabs align on the top and bottom.

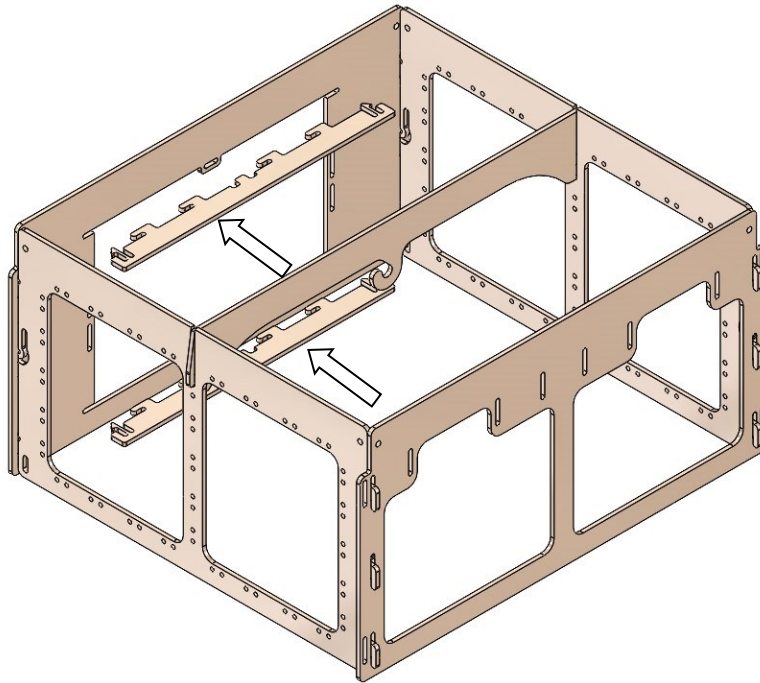


Fig. 5a

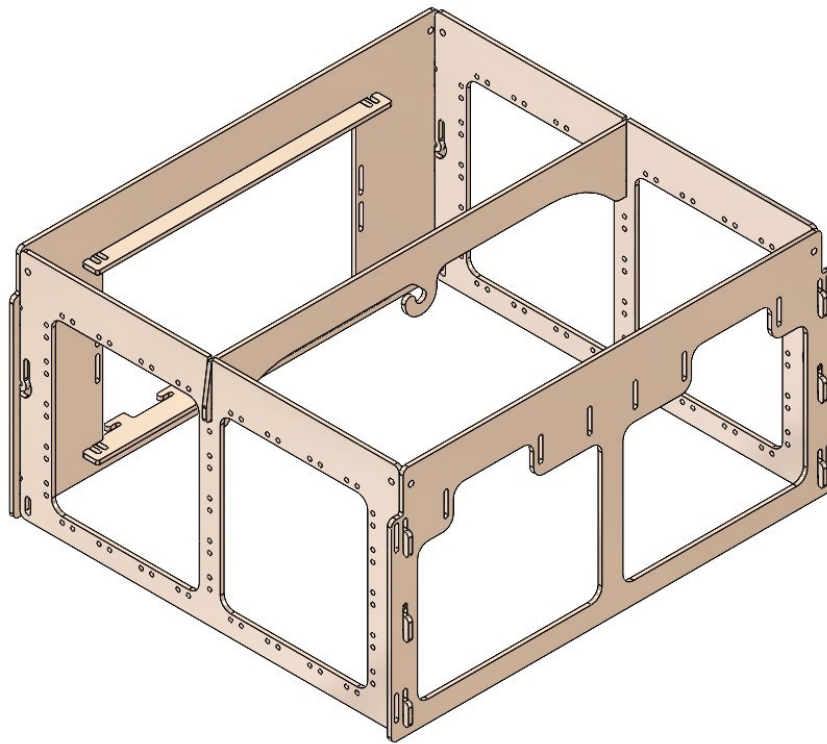


Fig. 5b

Coop Stand Assembly

Step 6: Attach the door to the back panel and door frames by sliding the door frame tabs through the slots on the door and then sliding the door sideways to lock it into place. Optionally insert a fastening device such as a lock or carabiner to prevent the door from opening.

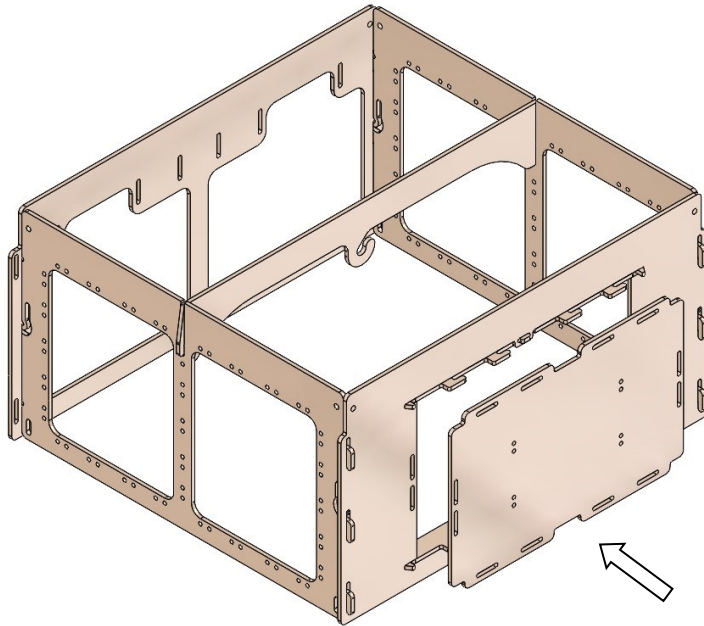


Fig. 6a

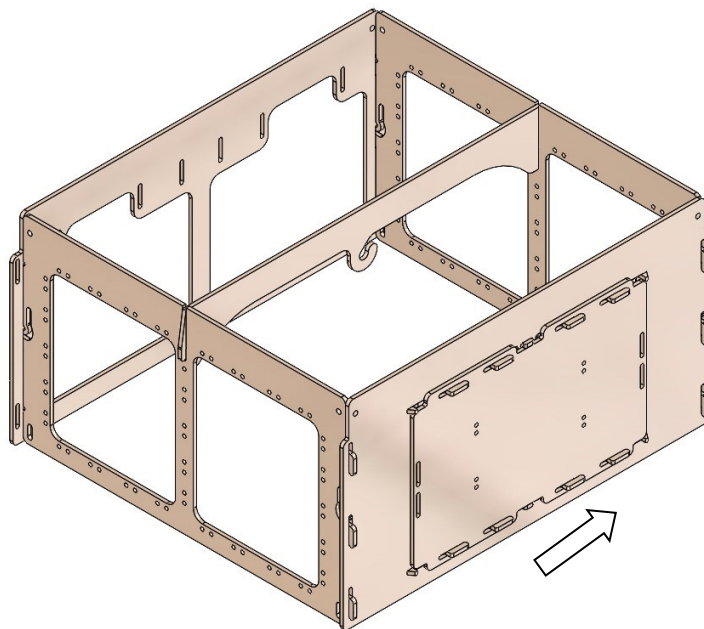


Fig. 6b

Coop Stand Assembly

Step 7: Inset the stair treads onto the stair frames by inserting the tabs on the top of the stair frames into the slots of the stair treads until the tabs lock into place

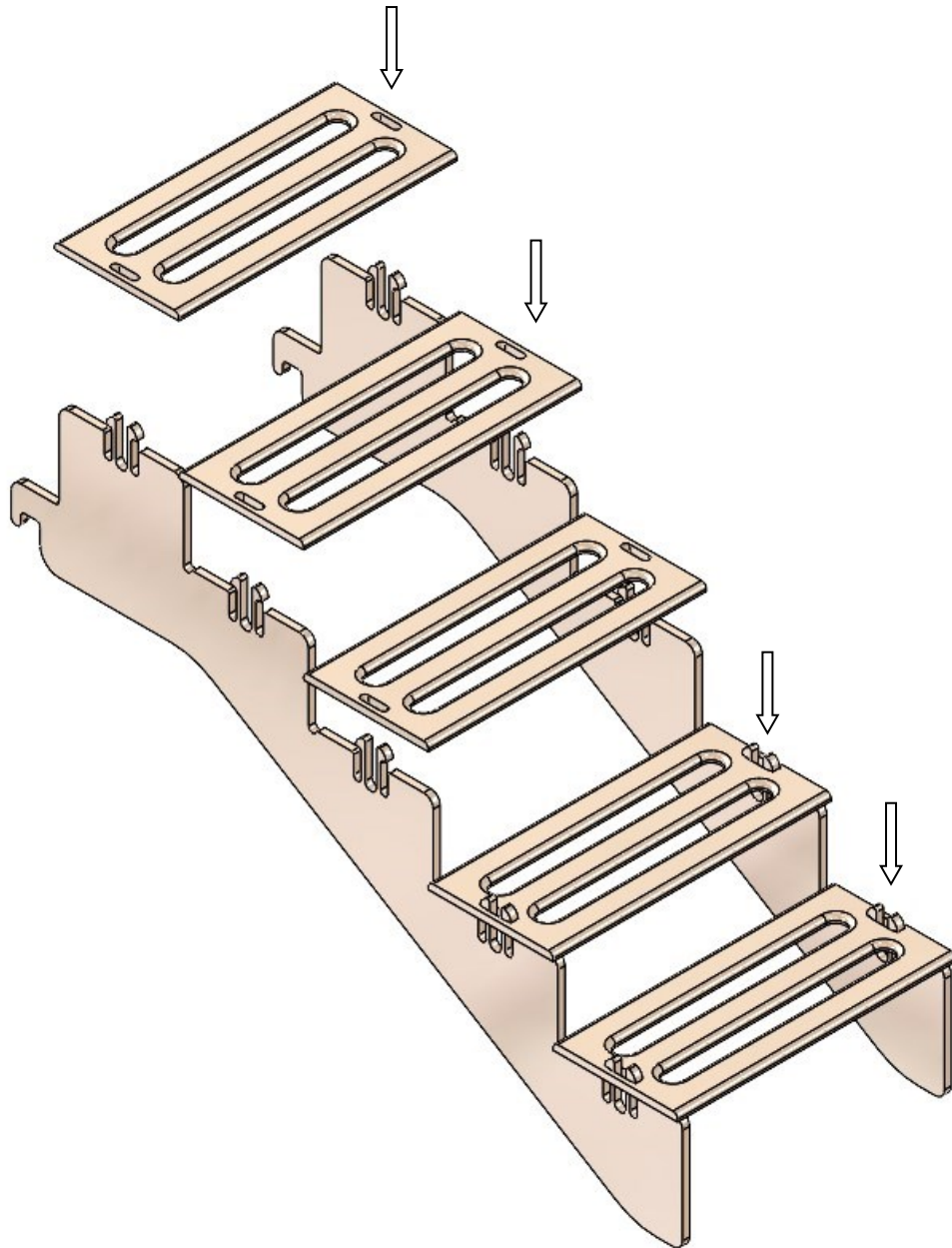


Fig. 7a

Coop Stand Assembly

Step 8: Inset the stair assembly into the slots along the front panel. Select the slots that align the stairs with the door location of your specific coop.

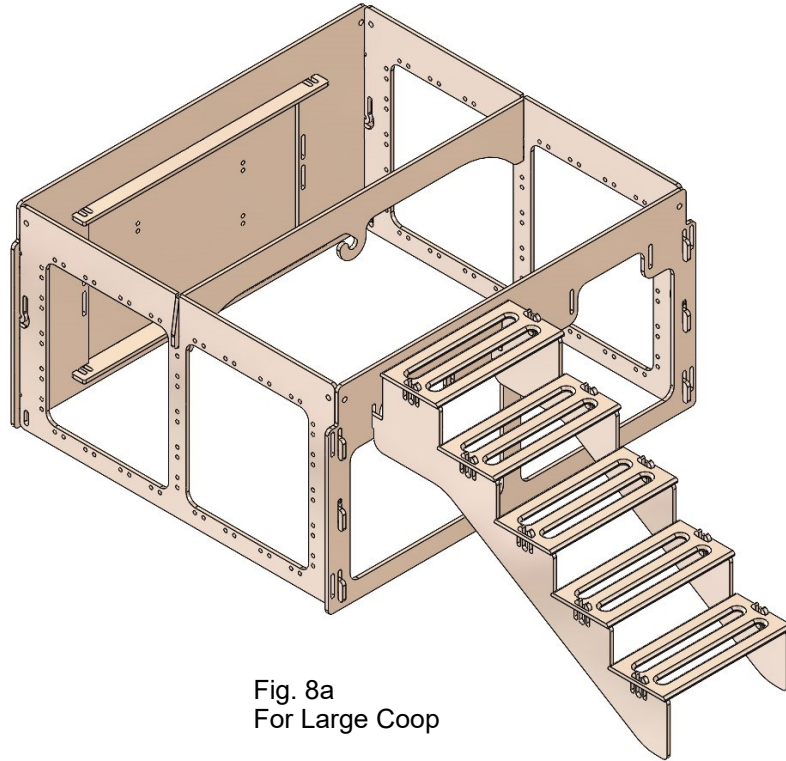


Fig. 8a
For Large Coop

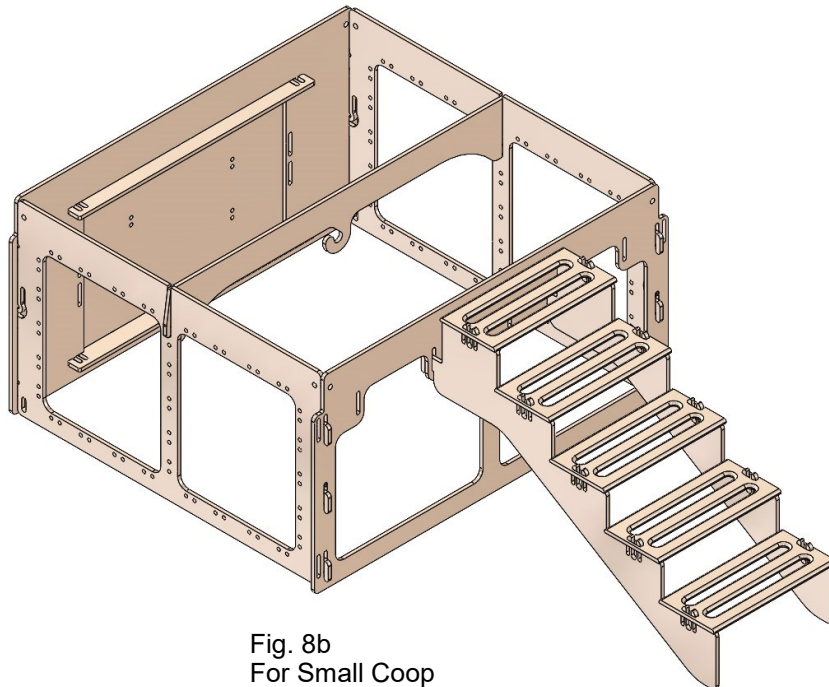


Fig. 8b
For Small Coop

Coop Stand Assembly

Step 9: The assembly of the coop stand is complete. Place the Formex Snaplock Coop of your choice onto the stand.

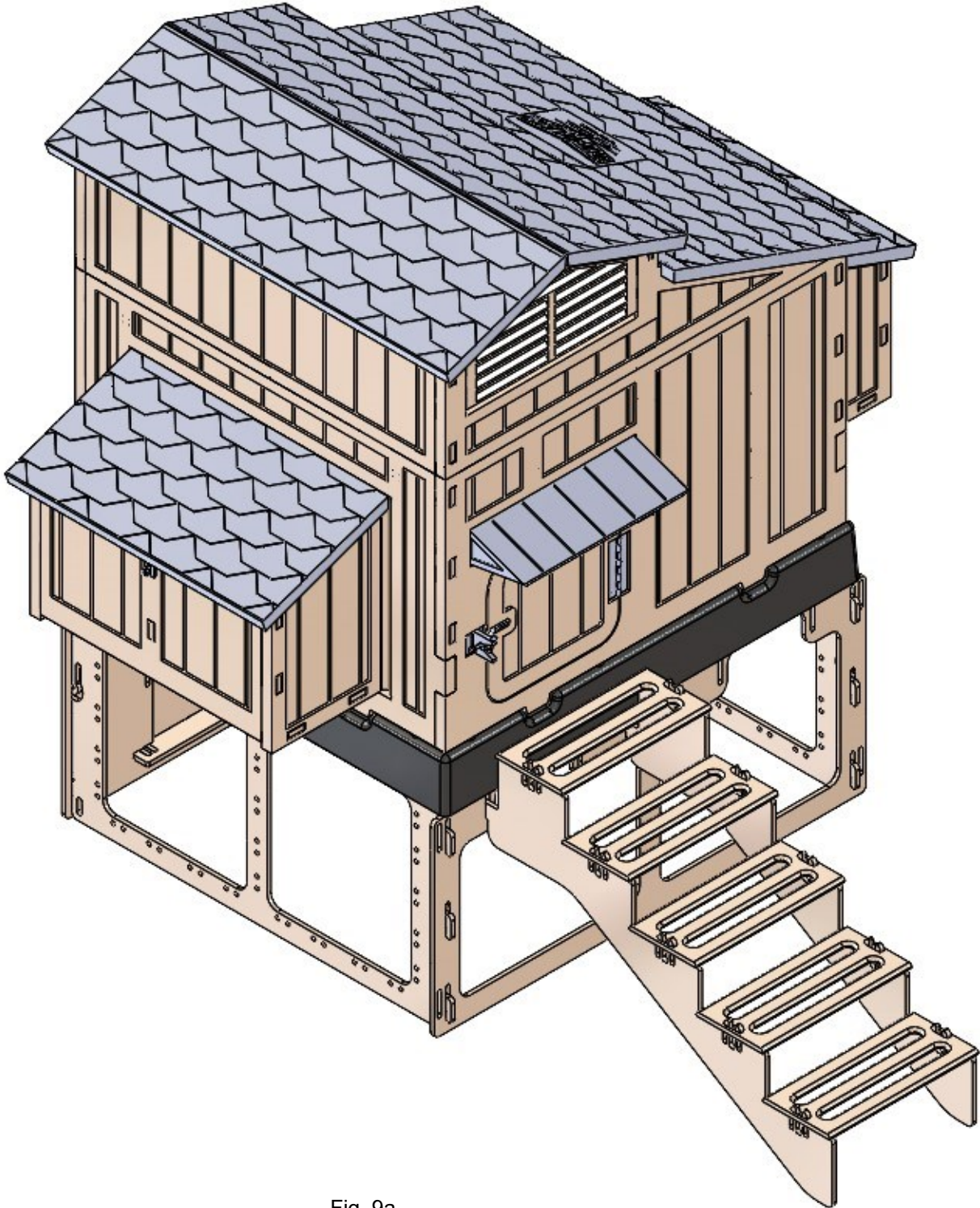


Fig. 9a
Showing Large Coop